

SHORING  
AND  
SCAFFOLDING

# H-FRAMES

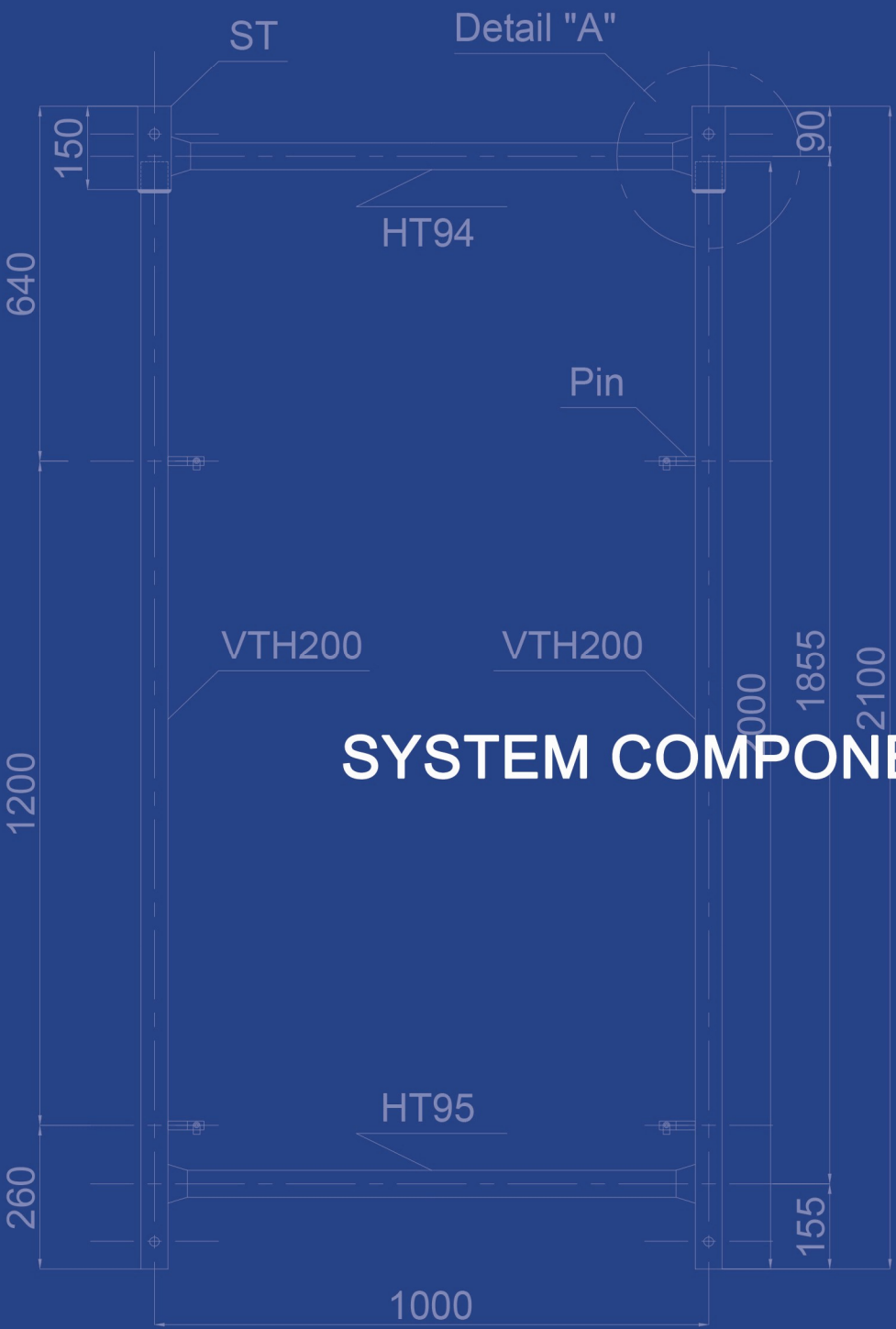
SYSTEM

HANDBOOK

**PIONEERS**  
INDUSTRIES L.L.C



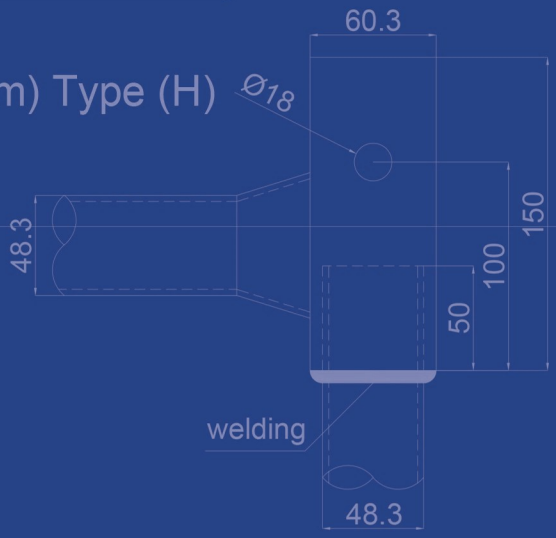
[WWW.PIONEERS-IND.COM](http://WWW.PIONEERS-IND.COM)



DWG. NO.	Part Name	Qty	Length	Width	Thick	Material	U.W./kg	T.W./kg	
01-019-00	VTH200	2	2000			Tube 1.5" x 3mm	6.50	13	
01-022-00	HT94	1	940			Tube 1.5" x 3mm	3.055	3.055	
01-022-00	HT95	1	950			Tube 1.5" x 3mm	3.087	3.087	
01-022-00	ST	2	150			Tube 2" x 3mm	0.637	1.274	
01-021-00	Pin	4							
								20.416 Kg.	

# SYSTEM COMPONENTS

Item Name : (Frame 200cm) Type (H)  
 CODE No. : PFH200



## Specifications:

- THICKNESS : Tube Th 3 = .mm
- COLOR : Red
- Unit Weight : 20.416 :kg.
- Load Capacity : 4.50 =ton
- Steel 37

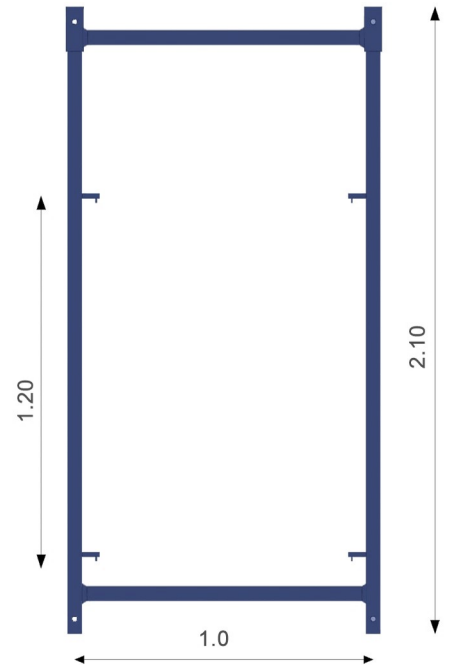
# SYSTEM COMPONENTS

H Frames and cross brace system is used for slab formwork and façade access scaffolding applications such as painting, plastering, cleaning and maintenance work .

H Frames system offers the simplest and most economical solution. Frame Max. Load capacity = 3.5 ton

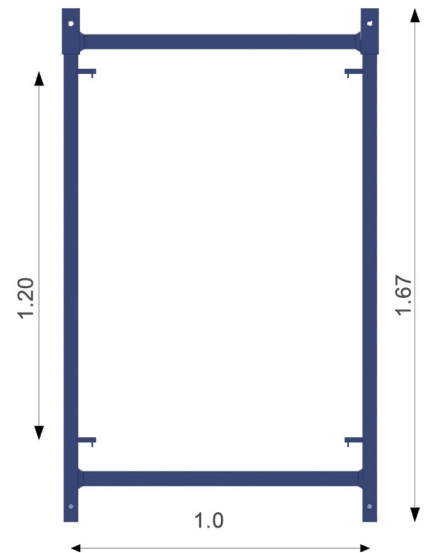
## FRAMES 2.00M

TUBE-THICK./ mm	2.0	3.0
WEIGHT / KG	14.54	20.40



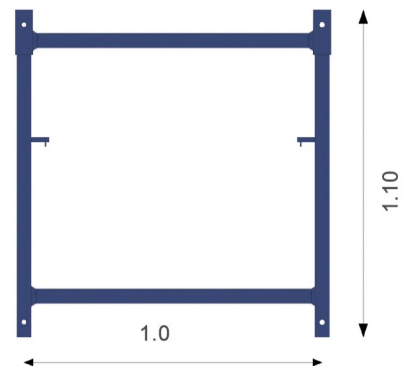
## FRAMES 1.50M

TUBE-THICK./ mm	2.0	3.0
WEIGHT / KG	12.60	17.57

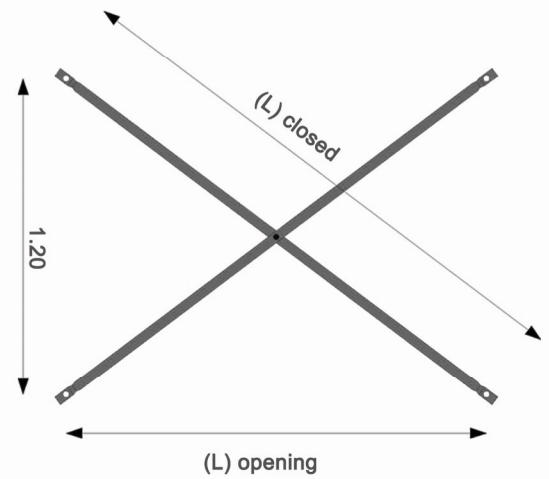


## FRAMES 1.00M

TUBE-THICK./ mm	2.0	3.0
WEIGHT / KG	10.03	13.90



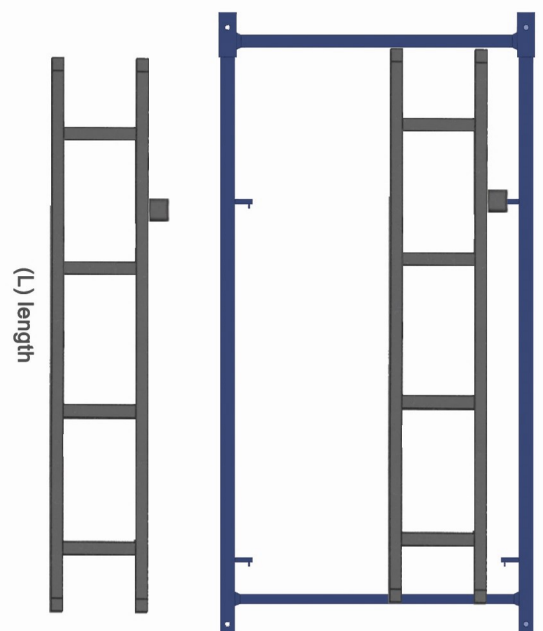
CROSS-BRACE		
(L) opening / m	(L) Closed / m	WEIGHT / KG
0.90	1.56	3.75
1.20	1.76	5.60
1.50	1.98	7.50
1.80	2.23	8.40
2.10	2.47	9.30
2.40	2.74	10.30
2.70	3.01	11.40



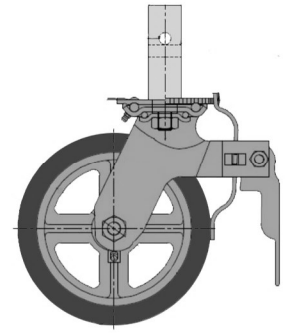
LEDGER FOR FRAME	
(L) length/ m	WEIGHT / KG
0.90	1.20
1.20	2.40
1.50	3.00
1.80	3.50
2.10	4.00
2.40	4.60
2.70	5.25



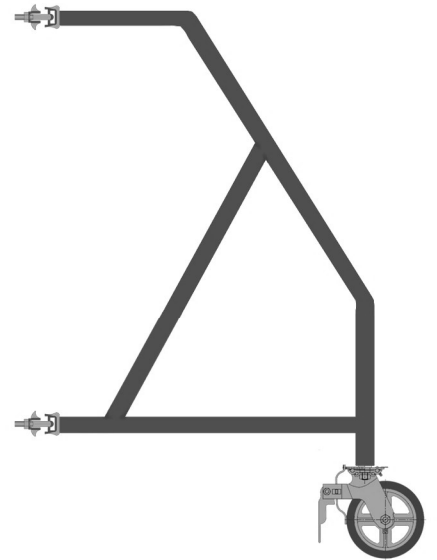
LADDER FOR FRAME	
(L) length / m	WEIGHT / KG
2.0	17.33



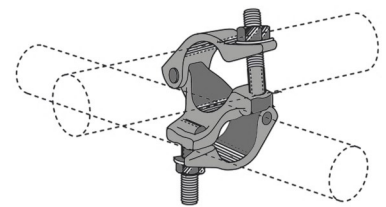
CASTER WHEEL		
SIZE	LOCAL-DIA 6.0"/8.0'	UK (CONSTANT)
WEIGHT / KG	4.20 / 3.82	5.56



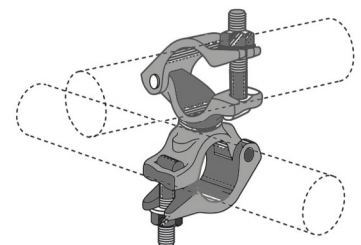
OUTRIGGER	
SIZE	CONSTANT
WEIGHT / KG	12.00



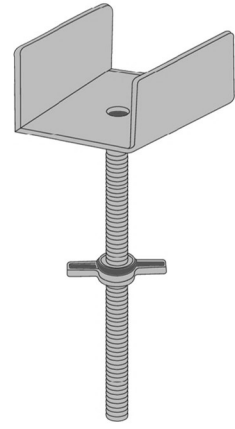
DOUBLE COUPLER		
SIZE	48.30x48.30	48.30x60.20
WEIGHT / KG	1.02	0.98



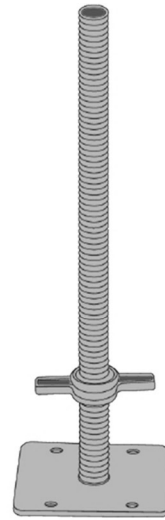
SWIVEL COUPLER		
SIZE	48.30x48.30	48.30x60.20
WEIGHT / KG	1.120	1.170



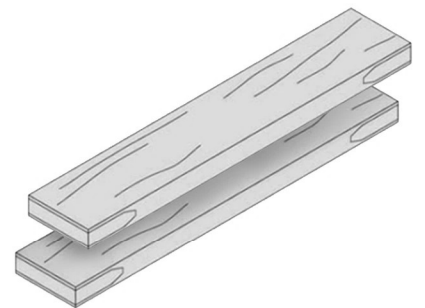
U-HEAD JACK		
SIZE	DIA 34MM/600MM SOLID	DIA 38MM/750MM HOLLOW
WEIGHT / KG	4.20 / 3.82	5.56



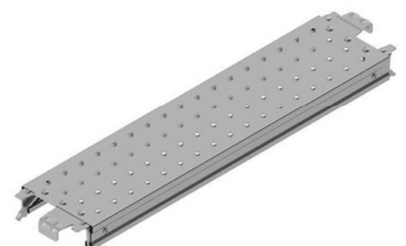
BASE WITH JACK		
SIZE	DIA 34MM/600MM SOLID	DIA 38MM/750MM HOLLOW
WEIGHT / KG	4.20 / 3.82	5.56



TIMBER BOARD		
SIZE	WOODEN	LVL BOARD 38mm x 225mm
WEIGHT / KG	4.20 / 3.82	4.77

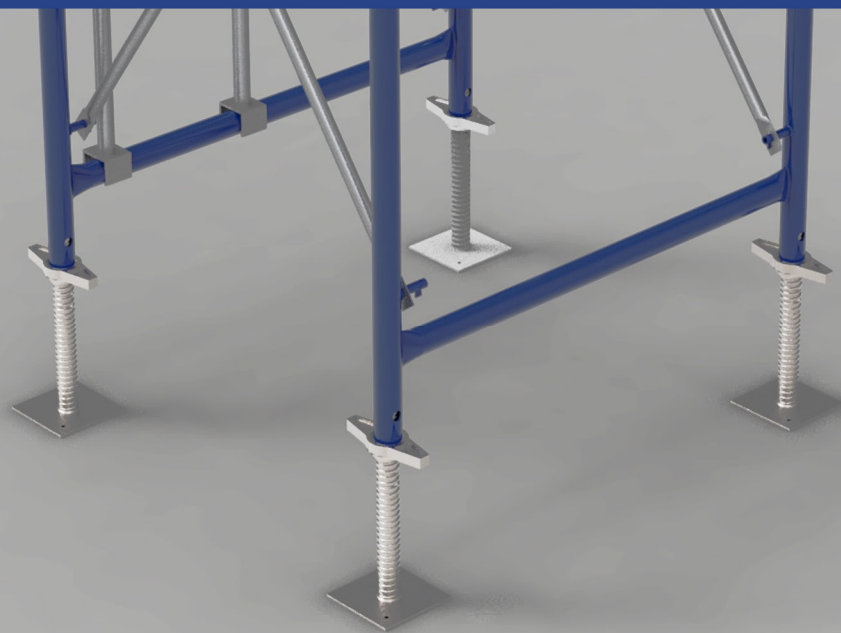


STEEL PLANK		
SIZE	2400 MM L	1800 MM L
WEIGHT / KG	19.41	15.03



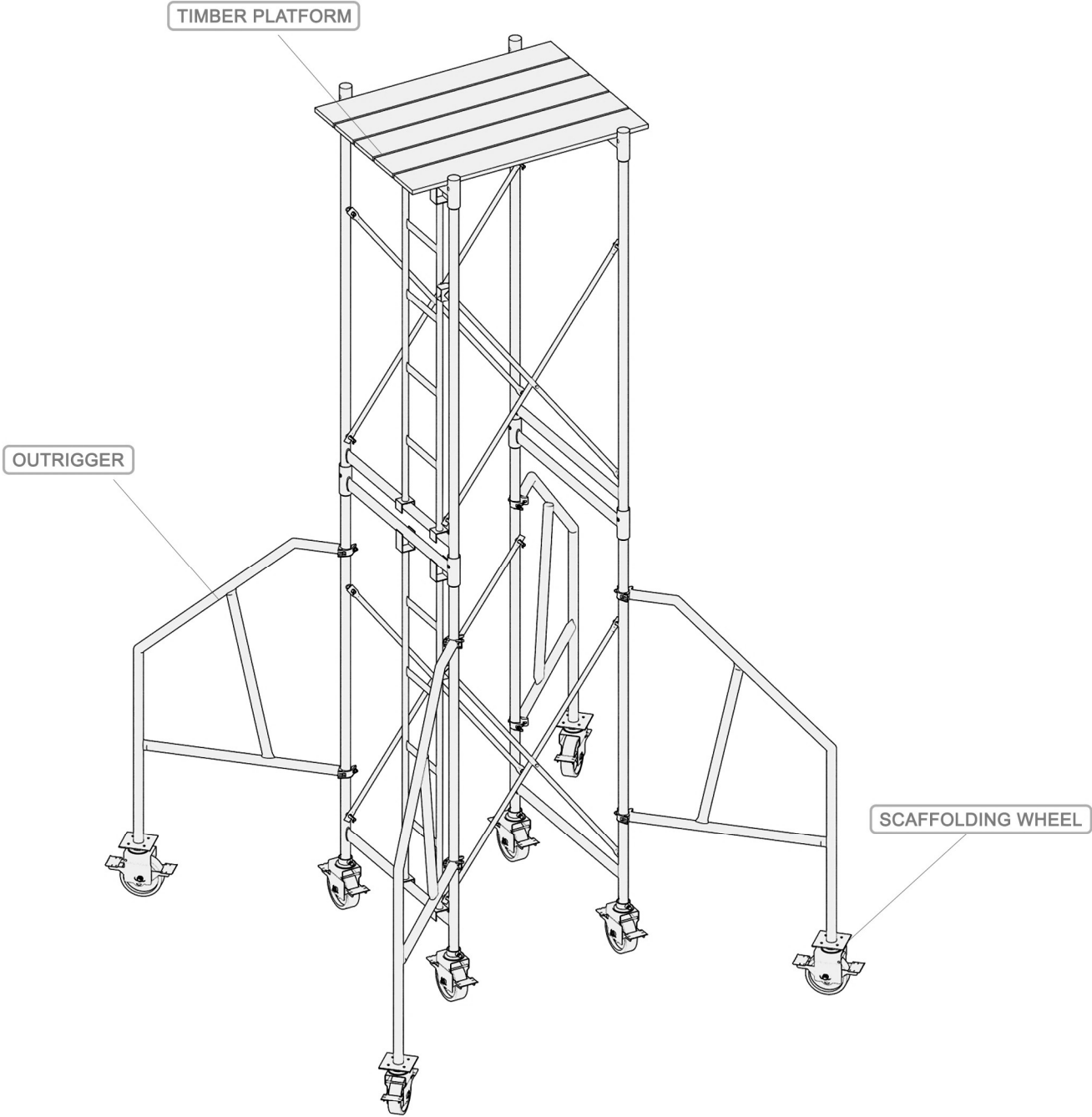


# APPLICATIONS



**MOBILE SCAFFOLDING**

Assembling of H-Frames and cross brace system with outriggers for stability supported on scaffolding wheels can make a costeffective mobile towers to used for various purposes of façade access scaffolding applications such as painting, plastering, cleaning and maintenance work .



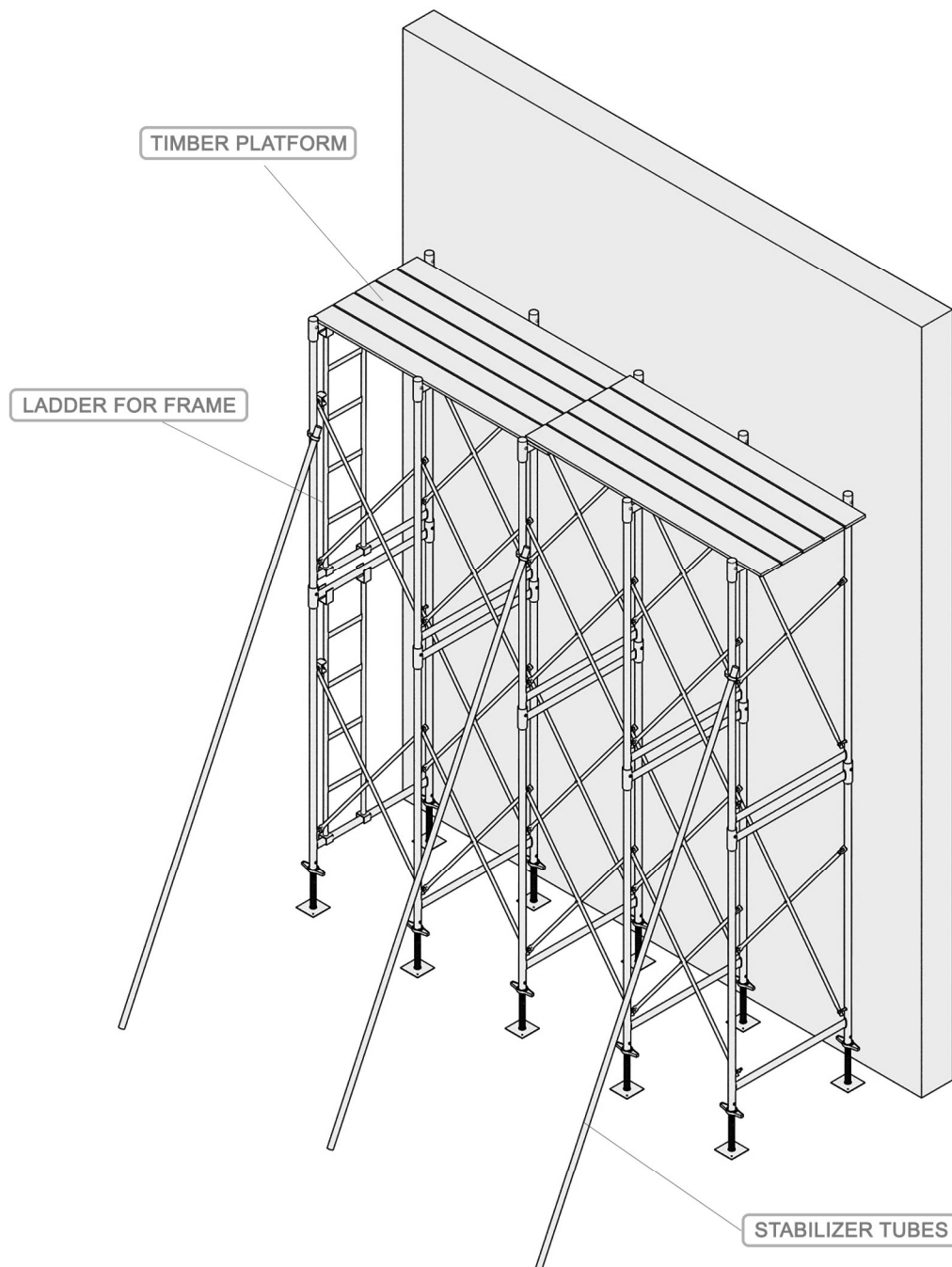
MOBILE TOWER - SAMPLE FIGUER



## FACAD SCAFFOLDING

H Frames and cross brace system can be used as façade access scaffolding applications such as painting, plastering, cleaning and maintenance work .

According to working height , the scaffolding can be stabilized using inclined tubes to the ground or it can be fixed to the building using tubes and props or tube with plates

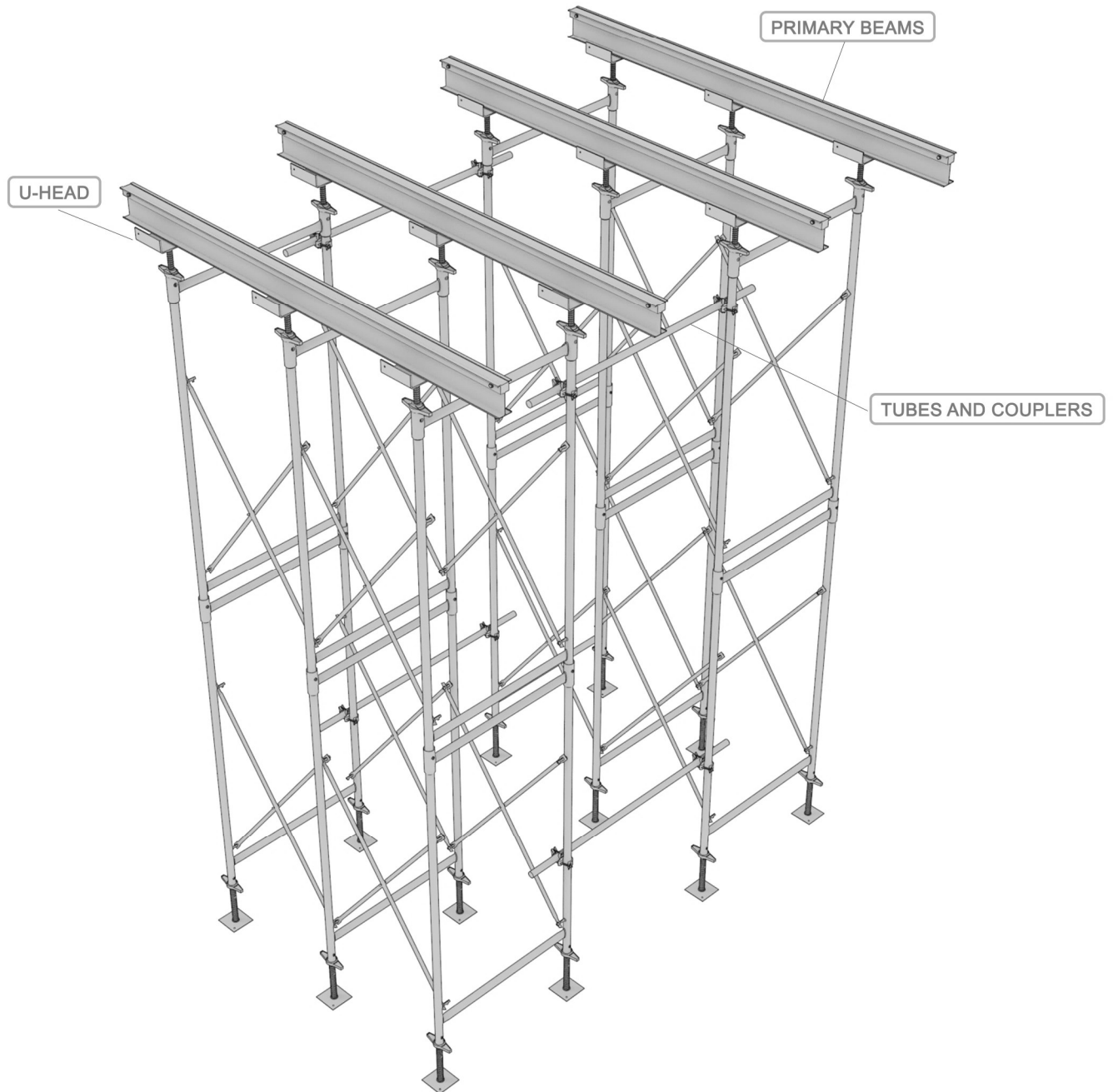


FACAD SCAFFOLDING - SAMPLE FIGUER

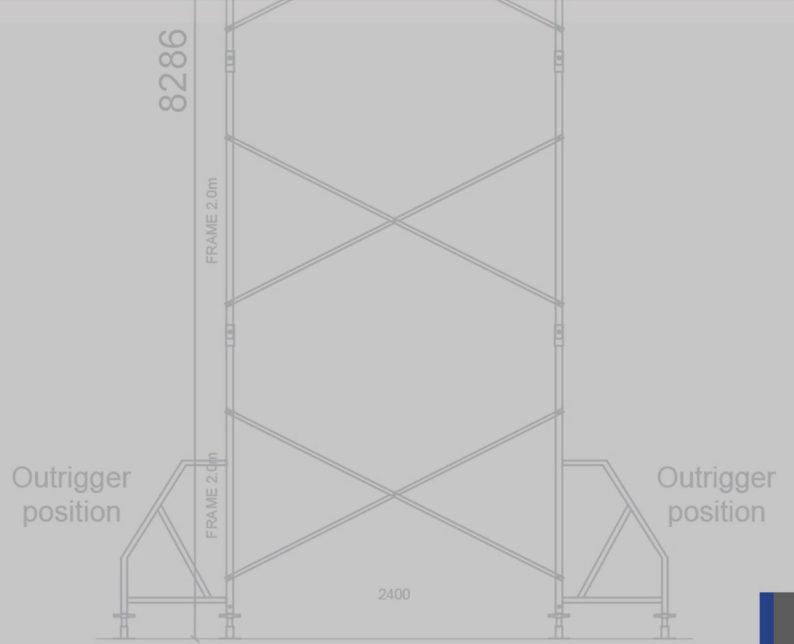
## SLAB SUPPORT

H-Frames system can be used as a slab support by adding U-Head at the top with primary beams such as Aluminum or Timber and according to height you can make Frames tower stable by connecting them together using tubes and couplers .

H-Frames considered one of the most economic solution for various slab thickness and heights as it don't need a lot of accessories

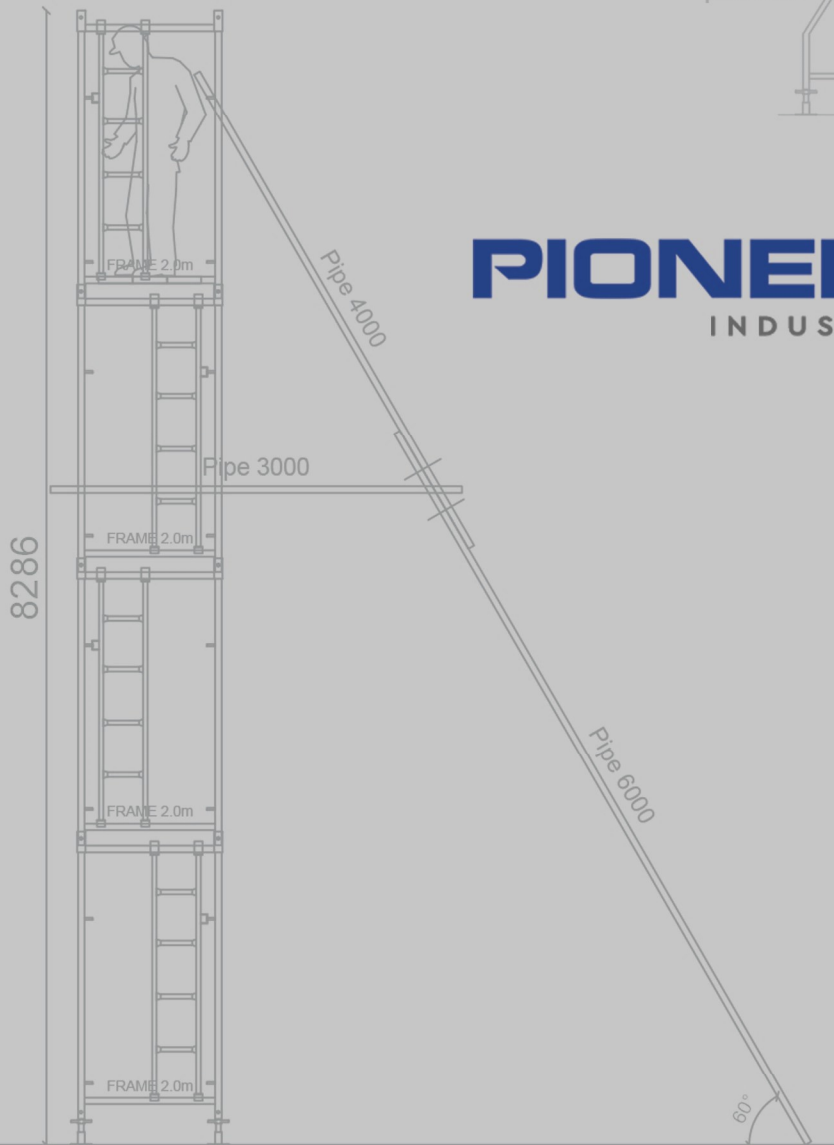


SLAB SUPPORT - SAMPLE FIGUER



Front Elevation

**PIONEERS**  
INDUSTRIES L.L.C



- ✉ info@pioneers\_ind.com
- ☎ (+02) 2266 1798
- ☎ (+02) 2268 2513
- 📍 Head Office: 3 Khalid ibn Al-Waleed St. ,1135/A, near to Abu Bakr Al-Seedek mosque, Sheraton. Heliopolis, Cairo, Egypt

🏭 Factory :  
Section no. 191, Extension of the 3rd region , 6th of october city - Egypt